



Alfa-V VDD / VDD6 / VDDY

Industrial dry coolers V-type

General information & application

The Alfa-V series is a wide range of heavy duty V-type dry coolers for air conditioning, refrigeration and various industrial applications. Alfa-V dry coolers provide high capacities at a compact footprint.

Alfa-V dry coolers may be used in refrigeration and air conditioning applications such as water/glycol cooling or free cooling. For industrial applications dry coolers are suitable for closed circuit cooling of various process liquids in f.i. food, power, process and general industries.

Capacities*	54 up to 1600 kW
* water, EN1048.	

Coil

An innovative coil design provides excellent heat transfer. In standard execution dry coolers are fitted with smooth copper tubing (1/2", 3/8" or 5/8") or stainless steel tubing (5/8"). Fins in aluminium or sea water resistant AlMg2.5, available in two fin designs:

Turbo fins	maximized capacity
Industrial power fins	long lasting performance

Available in different fin thicknesses and fin spacings. Separate connections provide the opportunity for independent operation of both dry cooler coils. Flanges stainless steel (UNI EN 1092-1).

Casing

Frame construction provides high rigidity for protection against vibration and thermal expansion. Casing and framework of corrosion resistant pre-galvanized sheet steel (high corrosion resistance), epoxy coated white RAL 9002 on both sides. Separated fan sections. Supports in galvanized steel.

Fan motors

Available in three fan diameters (800, 910 & 1000 mm) and five noise levels, power supply 400/50/3. Motors with external rotor, protection class IP 54 according to DIN 40050. Integrated thermo contacts provide reliable protection against thermal overload. EC fan motors available.



Alfa-V dry cooler

Certifications

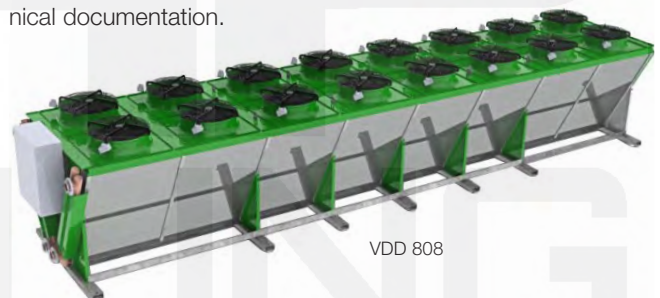
Alfa-V dry coolers are "Eurovent Certify All" certified. The Alfa Laval quality system is in accordance with ISO 9001. All products are manufactured according to CE and PED rules.

Design pressure

Design pressure 6 bar. Each heat exchanger is leak tested with dry air.

Selection

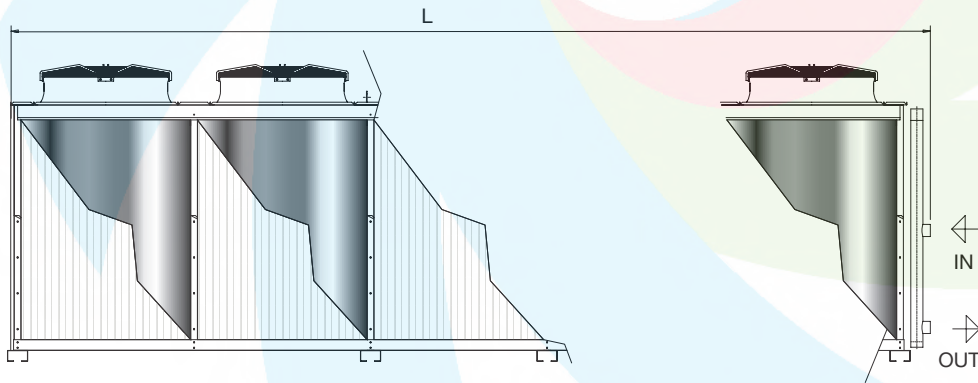
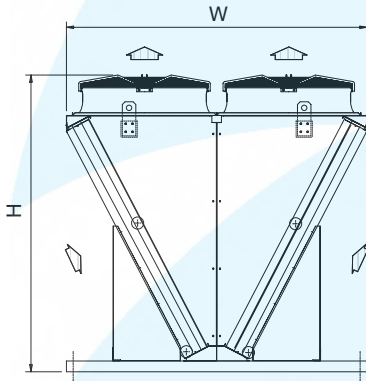
Selection and pricing is to be performed with our Alfa Laval air heat exchanger selection software. Selection output includes all relevant technical data and dimensional drawings. Please contact our sales organization for details and full technical documentation.



VDD 808

Nr. of fan pairs	Dimensions mm (indicative)			
	L1*	L2*	H	W
2	2940	3270	2210	2230
3	4250	4580	2210	2230
4	5560	5890	2210	2230
5	6870	7200	2210	2230
6	8190	8510	2210	2230
7	9490	9820	2210	2230
8	10800	11130	2210	2230

* L1 = VDD/VDD6, L2 = VDDY



Options

- Multi-circuiting
- Non-standard fin spacing
- Coil corrosion protection
 - Coil coating
 - Fins seawater resistant aluminium alloy 57S/5052
- Spray water device
- Vibration dampers
- Special fan motors
 - 480/3/60 (IP54)
 - EC fan motors
 - Protection class IP55
 - High-temperature motors
 - Explosion proof motors
- Electrical options
 - Isolating switch
 - Motors wired to a common terminal box
 - Switchboard (IP55)
 - EMC approval
 - Fan step control
 - Fan speed control
 - Frequency control

Code description

VDD	S(E)	90	4	B	D	SK	*	-	AL	2.1	CU	*
1	2	3	4	5	6	7	8		9	10	11	12

- Alfa-V dry cooler (VDD = standard Cu tube, VDD6 = 5/8" Cu, VDDY = 5/8" SS304)
- Sound level/fan code (T=high performance, S-standard, L=low, Q=quiet, R=residential, E=EC fan motor)
- Fan diameter (80=800 mm, 90=910, 100=1000 mm)
- Number of fan pairs (2 to 8)
- No. of tube rows (B=3, C=4)
- Fan motor connection (D=delta, Y=star)
- Packing (SK=container skid)
- Electrical options
- Fin material/coating (AL=aluminium, IF=industrial fins, SWR=AlMg2.5, EP=epoxy coated aluminium, FC=F-coat, BY=Blygold)
- Fin spacing (2.1, 2.3, 2.5, 3.0 and 3.2 mm)
- Tube material (CU=copper, SS=stainless steel)
- Options

Benefits

- Heavy duty design with high corrosion resistance
- Reduced liquid charge
- Favourable capacity/footprint ratio
- Available with easily cleanable industrial power fins
- Excellent sound characteristics, suitable for residential applications
- Reliable performance, Eurovent certified
- Easy installation & maintenance.
- Energy efficient - low total cost of ownership.
- Two-year product guarantee.

ERC00276EN 1210

Alfa Laval reserves the right to change specification without prior notification.

How to contact Alfa Laval

Up-to-date Alfa Laval contact details for all countries are always available on our website at www.alfalaval.com

