

AlfaBlue Junior AG(H)

Air-cooled condensers – commercial range

General information & application

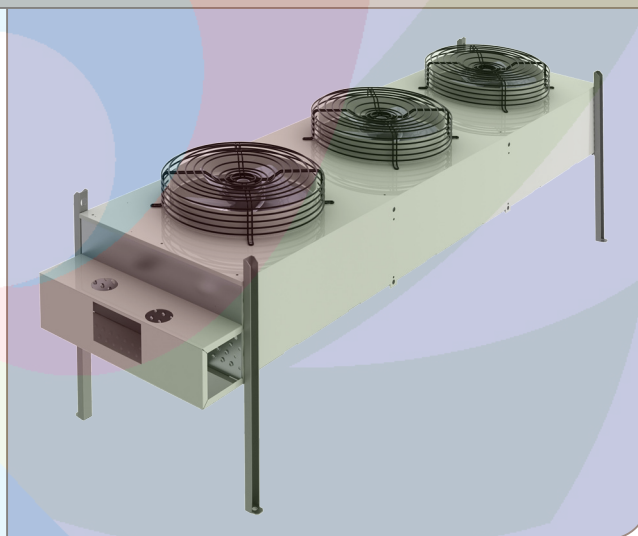
In addition to the well-proven AlfaBlue condenser line, the new generation of AlfaBlue Junior commercial condensers is a competitive condenser line of robust construction and high rigidity, that has every feature you need.

AlfaBlue Junior offers excellent performance especially at low air flow rates, allowing easy installation on site and an outstanding integration with other components. Highly efficient fan motors combine excellent sound characteristics and low energy consumption.

AlfaBlue Junior condensers may be used in commercial refrigeration and A/C installations.

Refrigerants	all H(C)FC
Capacities*	5.2 up to 240.7 kW

* Nominal capacities ($T_{air} = 25^{\circ}\text{C}$, $T_{cond} = 40^{\circ}\text{C}$, $T_{subcool} < 3\text{K}$, $T_{superheating} = 25\text{K}$)



AlfaBlue Junior AG

Coil

An innovative coil design based on 8 mm copper tubes and corrugated aluminium turbo fins provides excellent heat transfer at minimal refrigerant charge. Standard fin spacing is 2.1 mm.

Casing

The coil frame is made from AlMg₃ for protection against vibration and thermal expansion. Corrosion resistant casing material, pre-painted RAL9002. Separated fan sections.

Fan motors

High efficiency AC or EC fans with innovative polymeric fan blades and low power consumption. Available in four fan diameters (350, 400, 500 & 630 mm), different power supplies (230/50-60/1, 400/50-60/3) and four noise levels.

Protection class IP 54 according to DIN 40050.

AC motors are fitted with integrated thermo contacts to provide reliable protection against thermal overload (terminals in the box). Motors may be wired to one or more common terminal boxes.

AlfaBlue Junior AGH

A special range of High Pressure condensers is available with circuiting design optimized for refrigerant R410A. This AGH range has been specifically developed for AC applications and may be tailor made for OEM use.

Options

- Safety switches (SW)
- Terminal box for electric power connection (CB)
- Fan speed control 230/1 and 400/3 (BFP)
- Coil corrosion protection
 - Fins epoxy coated (EP)
 - Fins seawater resistant aluminium alloy 57S/5052 (SWR)
 - Blygold treatment (BY)
 - F-coat treatment (FC)
- Fin spacing 2.5 mm
- Vibration dampers (VD)
- End covers (CV)

Customisation (on request)

- Split circuits (50/50 %)
- Sub-cooling circuit
- Reverse setup (fitted with blow through fans, for high air-in temperature applications)
- Heat pump application

Certifications

All condenser models are "Eurovent Certify All" certified. The Alfa Laval quality system is in accordance with ISO 9001. All products are manufactured according to CE and PED rules.

Dimensions

AG(H)		Dimensions mm										
type	fans	L	H	W	H2	W2	M1	M2	M3	M4	M5	
351	1	775	600	548	529	313	570	0	0	555	345	
352	2	1375	600	548	529	313	1170	0	0	555	345	
353	3	1975	600	548	529	313	1770	0	0	555	345	
354*	4	1417	713	1047	1030	391	1160	0	0	1054	410	
356*	6	2017	713	1047	1030	391	1760	0	0	1054	410	
358*	8	2617	713	1047	1030	391	2360	0	0	1054	410	
401	1	780	712	596	555	362	630	0	0	591	255	
402	2	1380	712	596	555	362	1230	0	0	591	255	
403	3	1980	712	596	555	362	1830	0	0	591	255	
501	1	1115	846	868	828	428	860	0	0	868	420	
502	2	2015	846	868	828	428	1760	0	0	868	420	
503	3	2915	846	868	828	428	2660	0	0	868	420	
504	4	3815	846	868	828	428	3560	1760	0	868	420	
631	1	1261	1171	1070	1034	680	960	0	0	1070	700	
632	2	2261	1171	1070	1034	680	1960	0	0	1070	700	
633	3	3261	1171	1070	1034	680	2960	0	0	1070	700	
634	4	4261	1171	1070	1034	680	3960	1960	0	1070	700	
635	5	5261	1171	1070	1034	680	4960	1960	1000	1070	700	
636	6	6261	1171	1070	1034	680	5960	1960	2000	1070	700	

Design pressure

Design pressure 33 barg, 40 barg for AGH.

Each heat exchanger is leak tested with dry air and finally supplied with a nitrogen pre-charge.

Selection

Selection and pricing is to be performed with our Alfa Laval air heat exchanger selection software. Please contact our sales organization for details and full technical documentation.

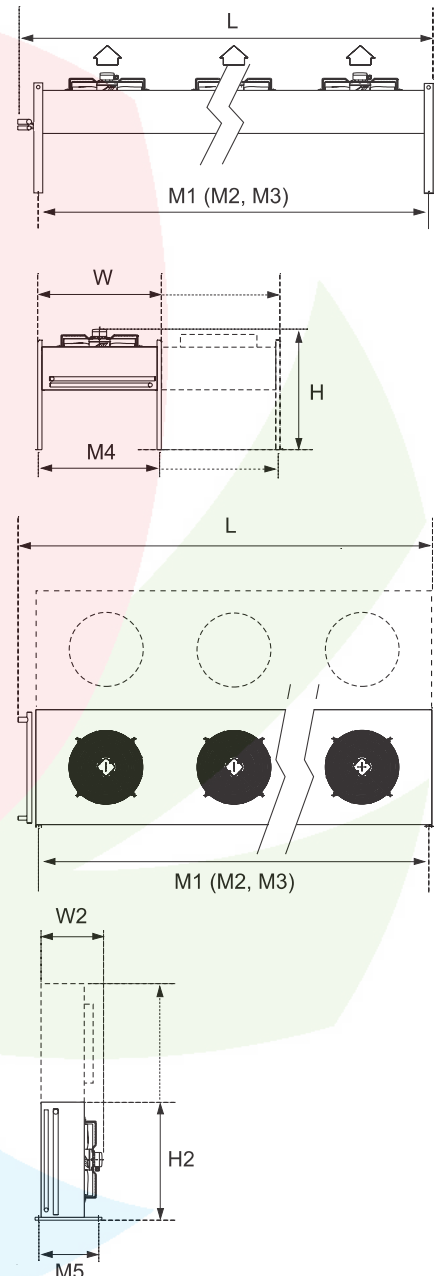
Code description

AG	H	S(E)	35	2	A	S	H/V	BO	*	-	AL	2.1	CU	R410A	*
1	2	3	4	5	6	7	8	9	10		11	12	13	14	15

- AlfaBlue Junior condenser
- High pressure range for R-410A
- Sound level/fan code: S=standard, L=low, Q=quiet, R=residential, E=EC fan motor
- Fan diameter (35=350, 40=400, 50=500 mm, 63=630 mm)
- Number of fans (1 to 6)
- Tube rows code (A, B, C)
- Phases (S=monophase, D=three phases)
- Suitable for both horizontal & vertical installation
- Transport packing (BO=box, P=pallet, CR=crate)
- Options
- Fin material/coating (AL=aluminium, IF=industrial fins, SWR=AlMg2.5, EP=epoxy coated alu, FC=F-coat, BY=Blygold)
- Fin spacing (2.1 mm, 2.5 mm)
- Tube material (CU=copper)
- Refrigerant (for H-execution only)
- Extra options

Benefits

- Reduced refrigerant charge.
- Circuiting optimized to selected fan speed.
- Excellent sound characteristics, suitable for residential applications.
- Reliable performance, Eurovent certified.
- Easy installation & maintenance.
- Energy efficient - low total cost of ownership.
- Damage-proof packing in sturdy cardboard box on pallet. Bigger units in a crate and wrapped with plastic foil.
- Stock units available.
- Two-year product guarantee.



ERC00258EN 1301

Alfa Laval reserves the right to change specification without prior notification.

How to contact Alfa Laval

Up-to-date Alfa Laval contact details for all countries are always available on our website at www.alfalaval.com

